

ROAD MAINTENANCE EQUIPMENT

Profilers & Stabilisers
Flail Mower & Mulchers
Brooms
Angle Sweepers
Trenchers
Grader
Slasher
Pallet Forks



GRADE
CONTROL

02 43851041

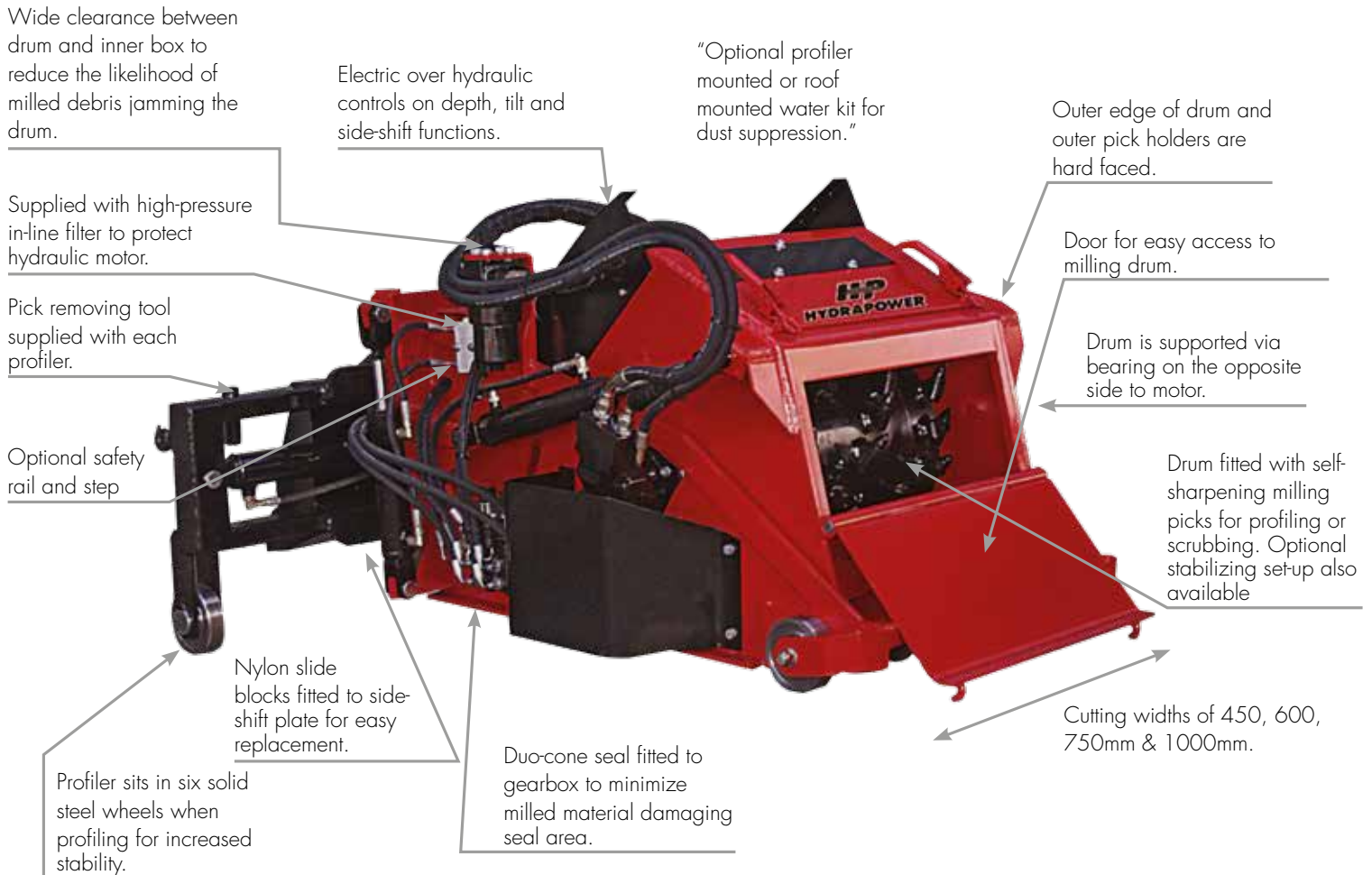
gradecontrol.com.au

PROFILER / STABILISER

Power and efficiency are the hallmark of all Hydropower products and our range of profilers are no exception to this rule – from durable heavy duty Australian design to high quality components.

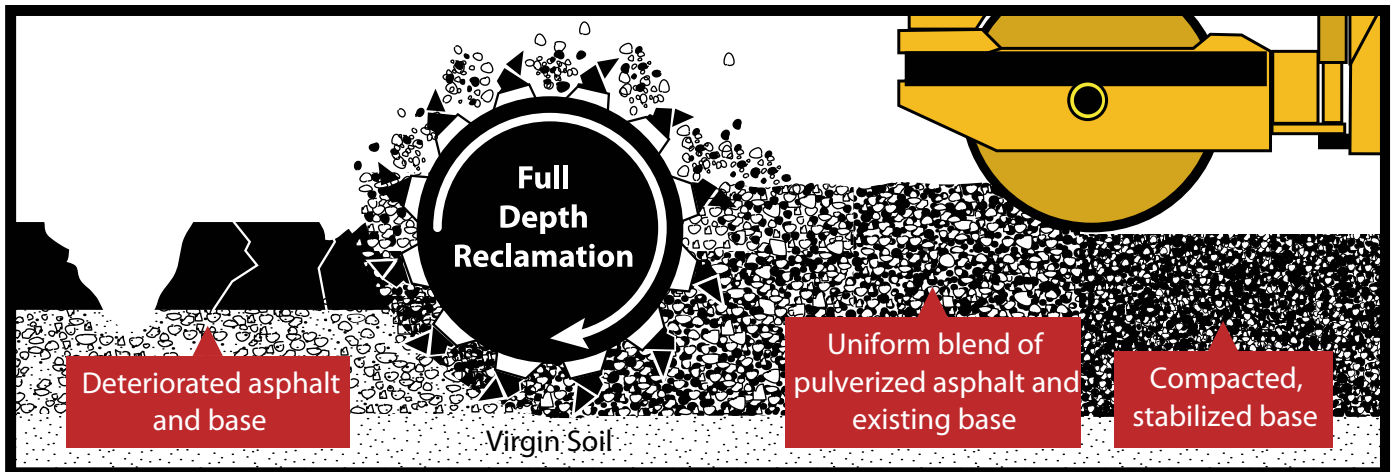
Designed for skid steers this is a robust attachment that exceeds our renowned **"Quality without compromise"** approach to design and manufacture.

Ideal for skid steer loaders we have a profiler suitable for your application.



| TECHNICAL SPECIFICATIONS | |
|--------------------------|---|
| Host Machine Size | High-Flow Skid Steer (Wheeled or Tracked) |
| Primary Task | Repairing Road Failures and/or Road Stabilising |
| Depth Control | Hydraulic - infinitely variable |
| Drive Mechanism | Hydraulic motor via a planetary gearbox fitted with a duo-cone seal |





- State Of The Art road stabiliser;
- Runs at 20 metres/minute, at full depth, depending on road condition;
- Engine Type : John Deere / Cummins
- Engine Size : 203 hp
- Working Depth 300mm

92TS TRACTOR STABILISER

- Suits minimum 84 KW (115 HP) tractor with creeper gear.
- Stabilises 1800mm wide x 300 mm deep (other widths available).
- Ideal for working on country roads.
- Capable of travelling between jobs at 40 km/h
- Built in, closed loop hydraulic circuit, including oil cooler and comprehensive filtration, with pumps driven off tractor PTO.
- Hydraulically operated height adjustment.
- 120 litre Hydraulic oil tank
- Hydraulically operated rear covers to ensure cutting area covered at all cutting depths.



FLAIL MOWER & MULCHER



MULCHER/FLAIL MOWER

Suit Skid Steer

Hydraulic forestry flail/mulcher for skid steer loaders to mulch any vegetable residue, branches and standing plants. Ideal for clearing derelict areas e.g. under powerlines, creation of fire breaks etc...



From 1600mm wide

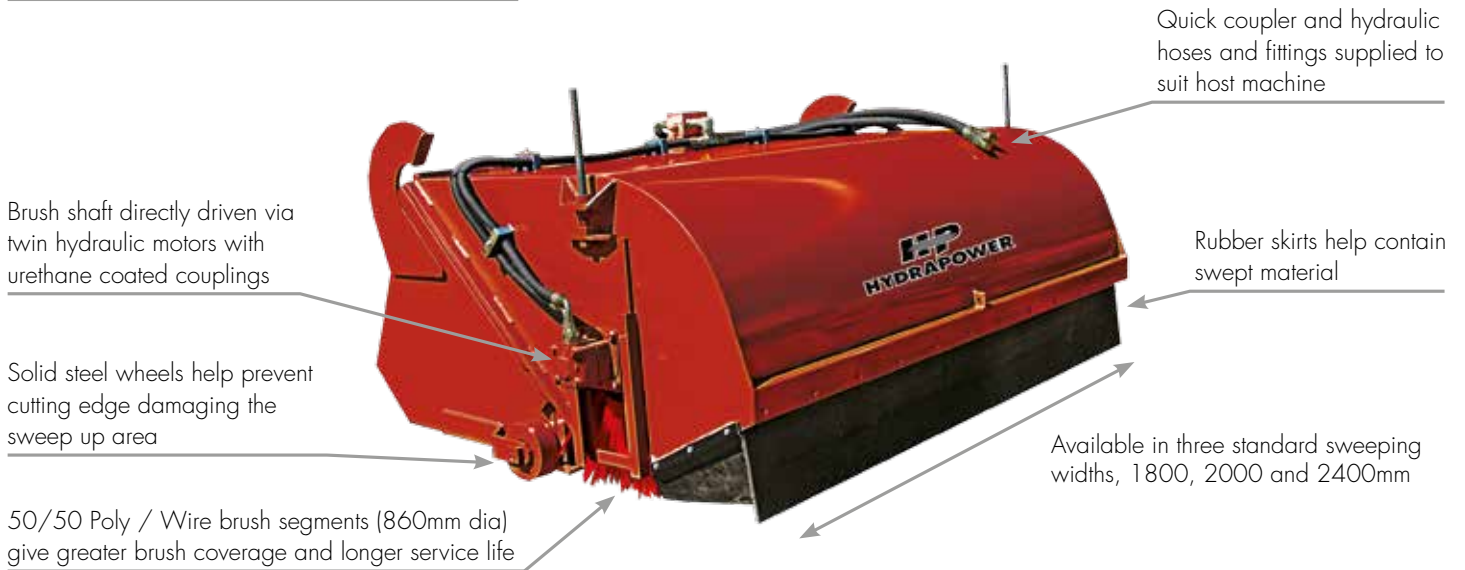
FLAIL MOWER

Suit Excavator

900mm wide
Cutting capacity of up to 100mm (4")
Hydraulic flow rate 20-75 lpm @ 3000 psi



RBH Bucket Broom



Available in four standard sweeping widths, 1600, 1700, 1800 and 2000mm



RW Bucket Broom

FB Bucket Broom



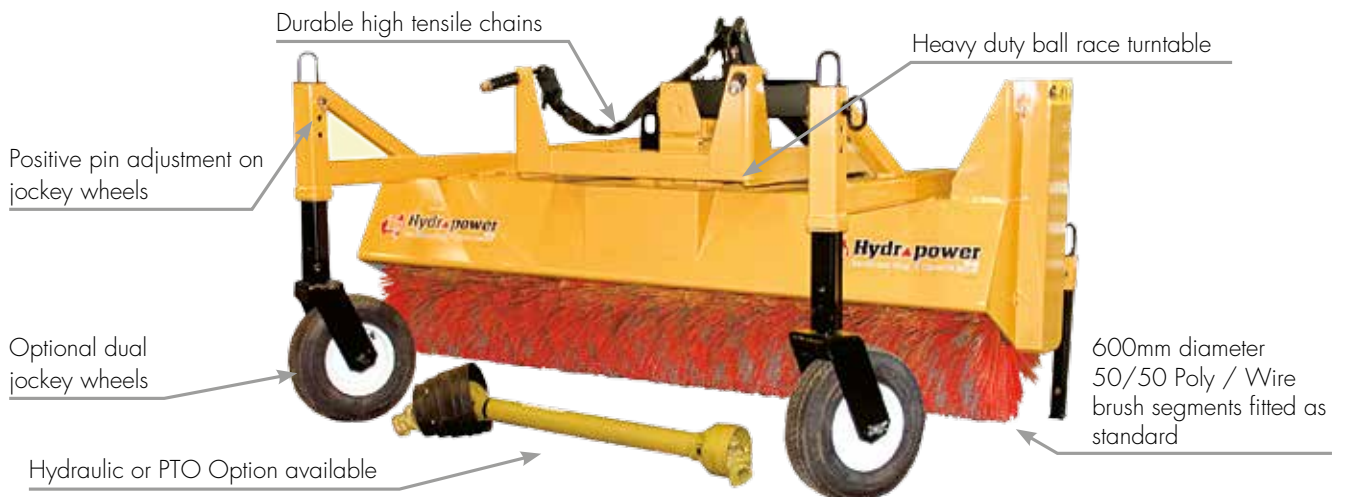
ANGLE SWEEPERS

RS Angle Sweeper



AS Angle Sweeper

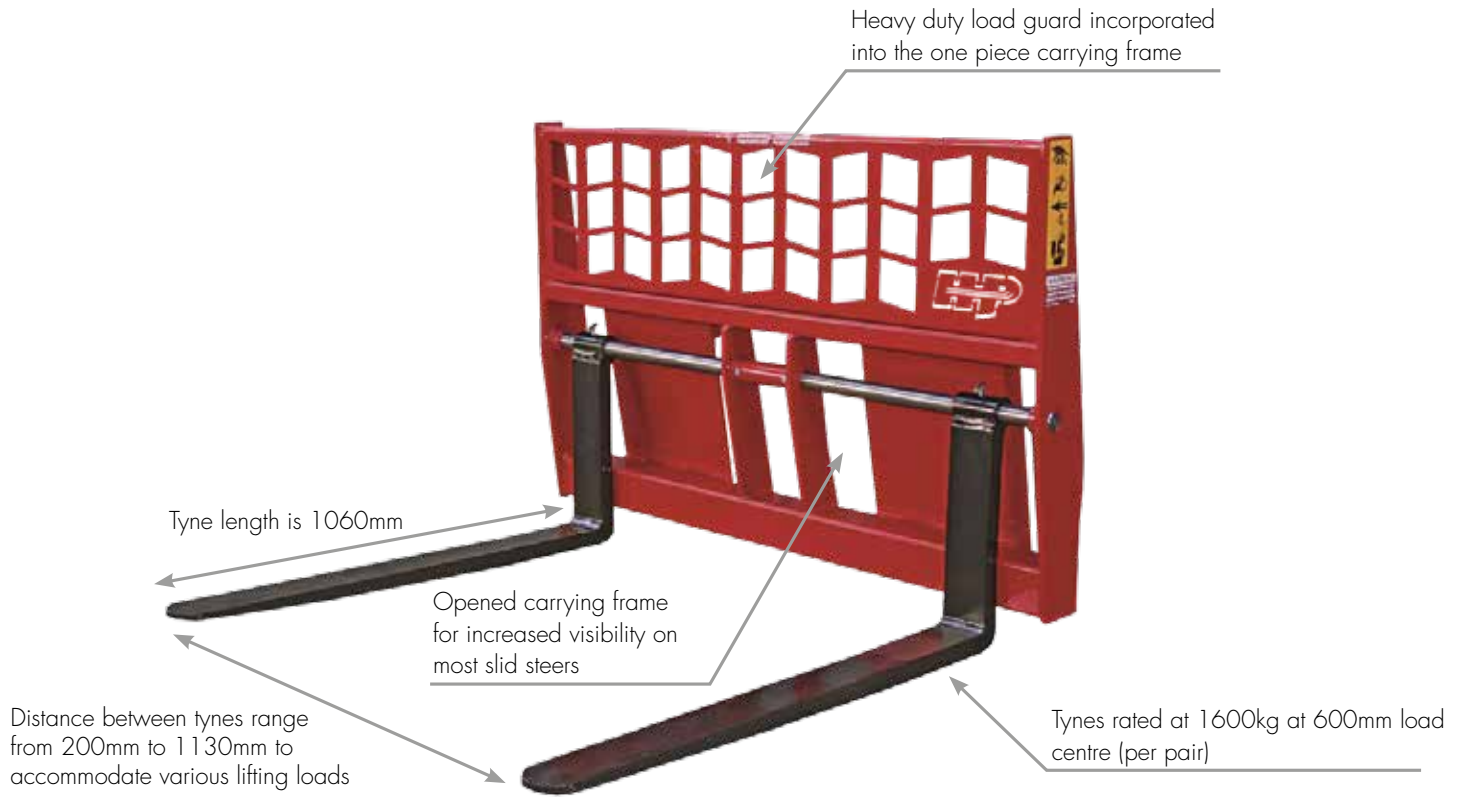
Available in three standard sweeping widths, 1800, 200 and 2200 mm.



LAS Angle Sweeper

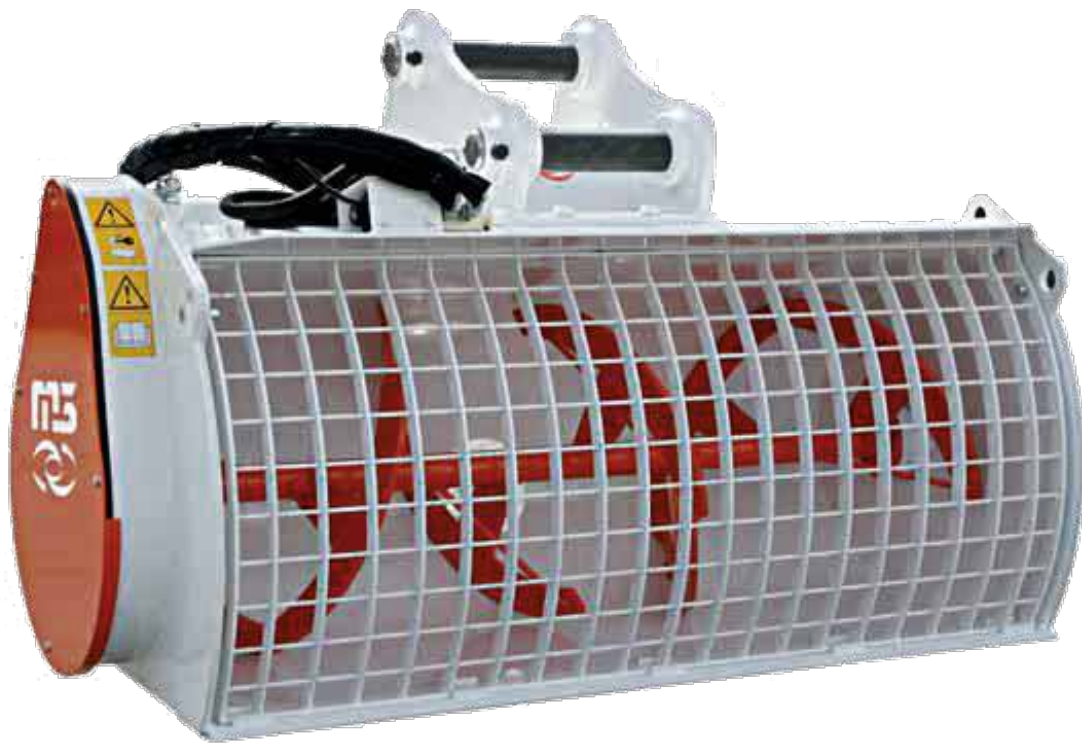


Premium Heavy Duty Model



Imported Utility Medium Duty Model





- Loading
- Mixing
- Unloading

Especially recommended for construction and maintenance of concrete paving, sewers and culverts, pavements, kerbs and gutters.

Has hitch to suit Skid Steer Loader – Excavator Hitch also available

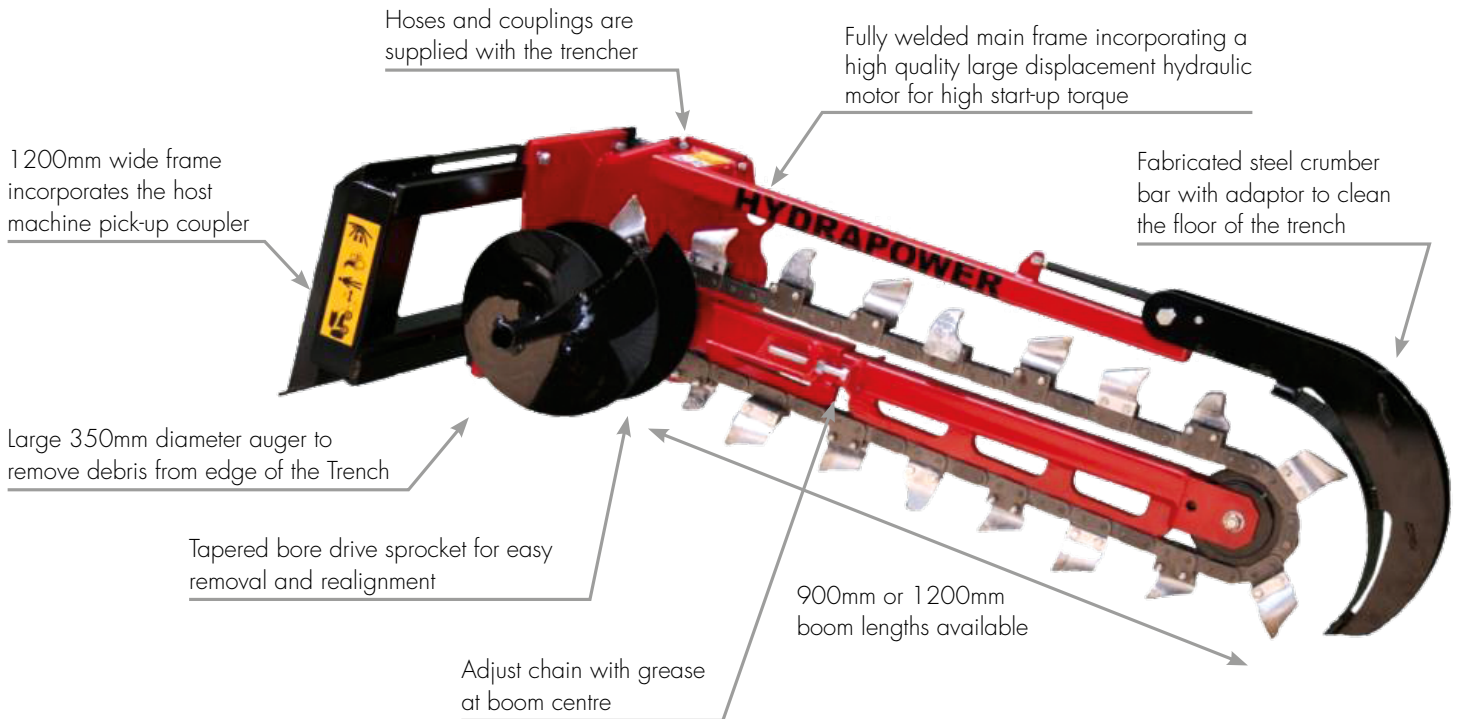
Supply includes loading pipe – 1500mm x 200mm which allows discharge when necessary

Example of productivity
Model BM250 : 1m³ - 20 minutes

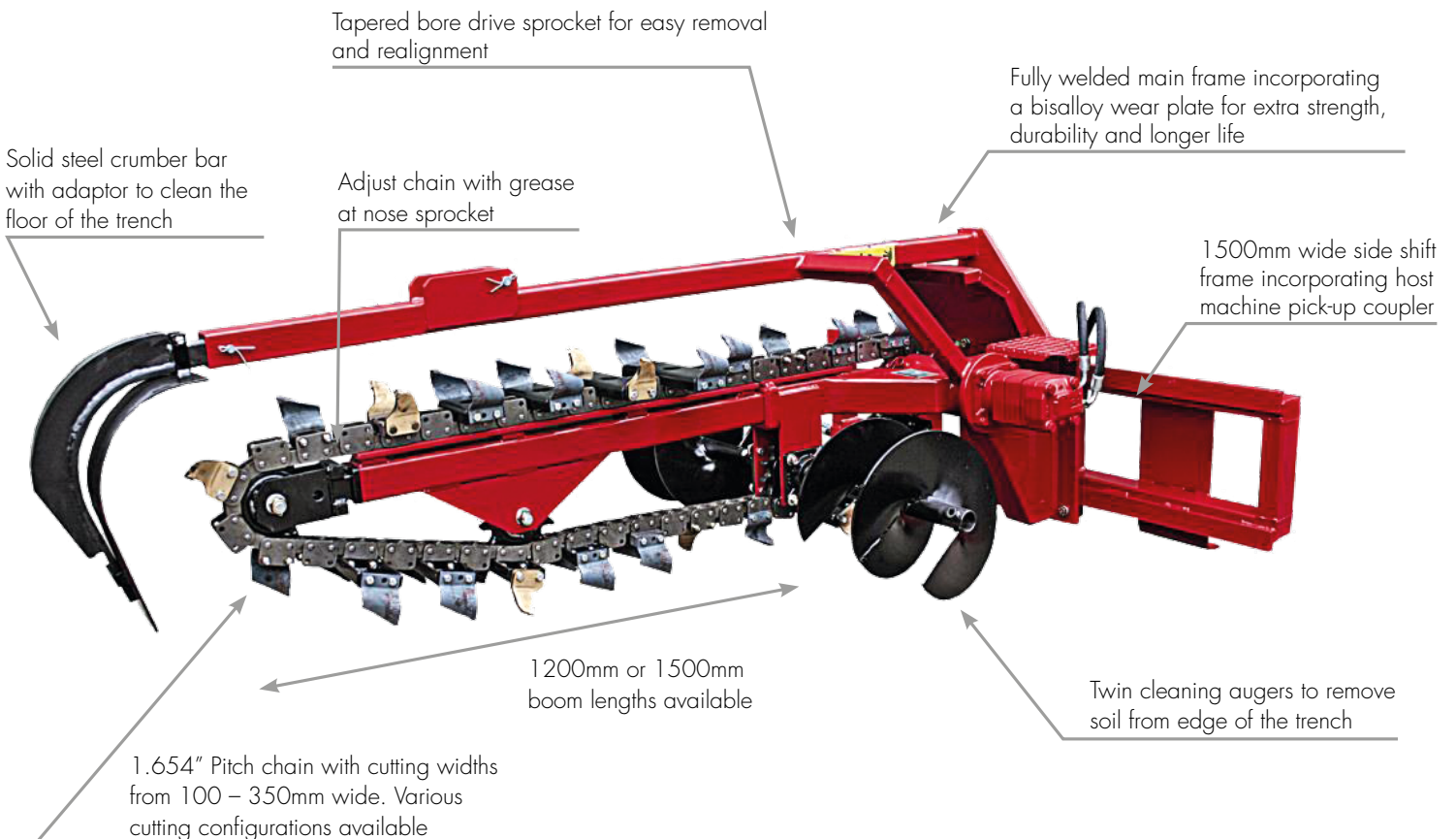
*Optional side chute



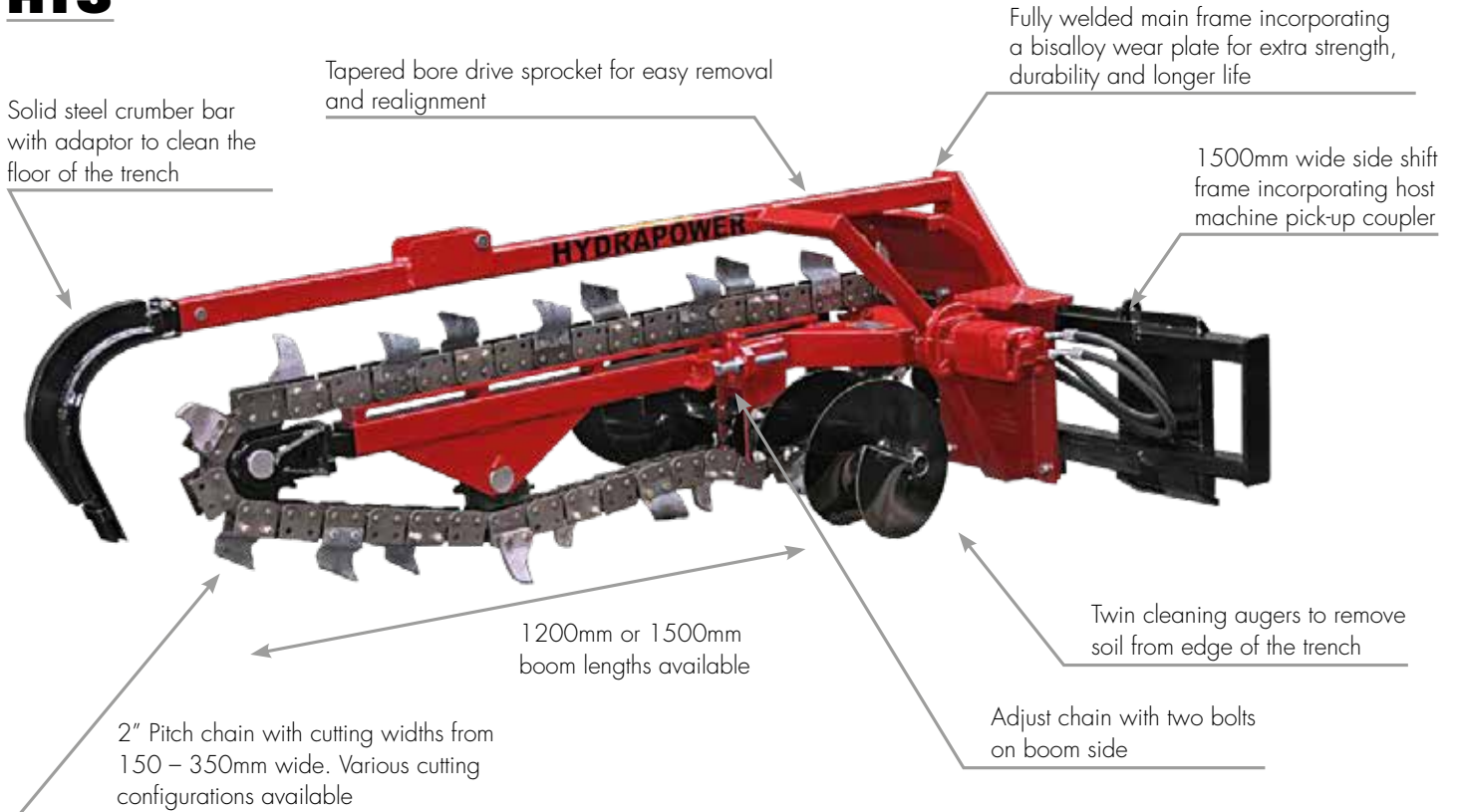
Utility



HT2

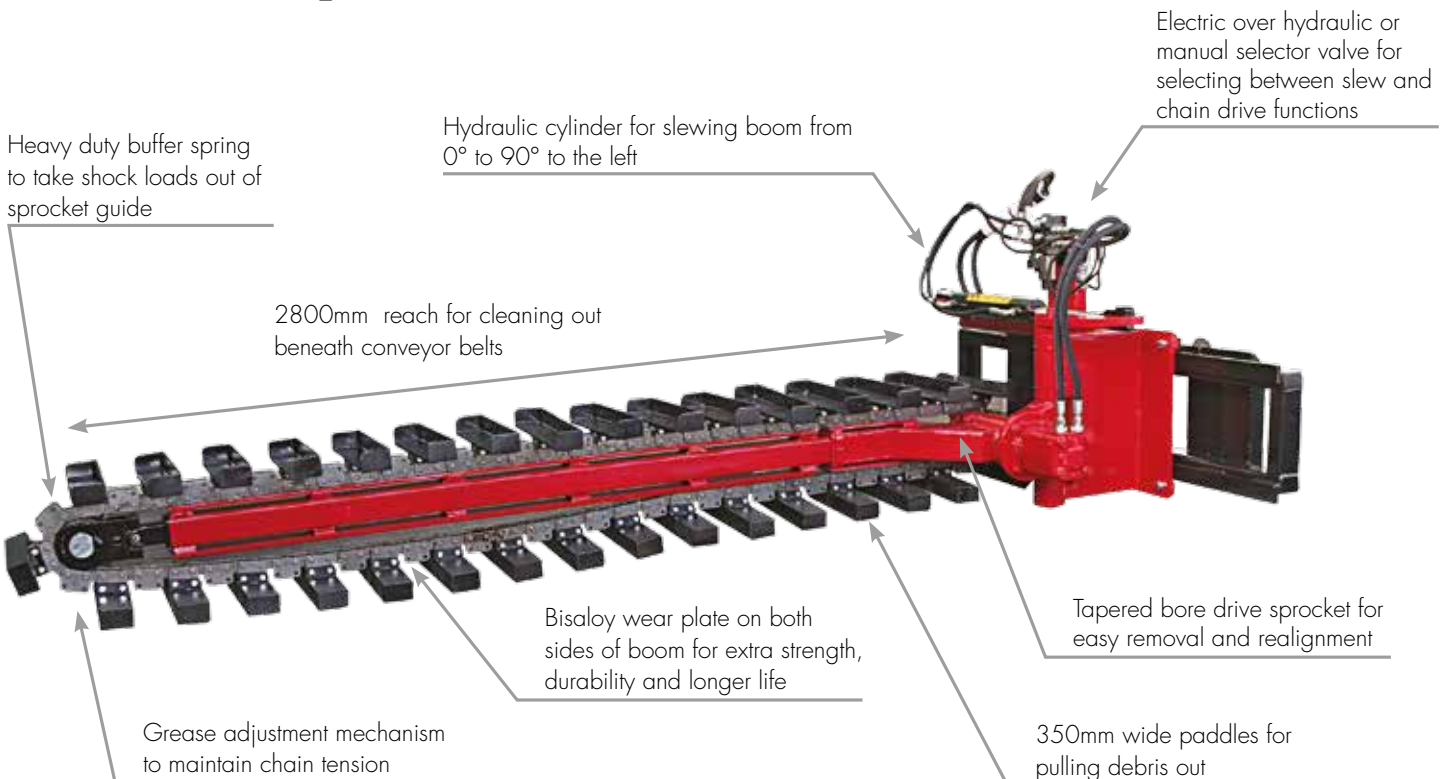


HT3

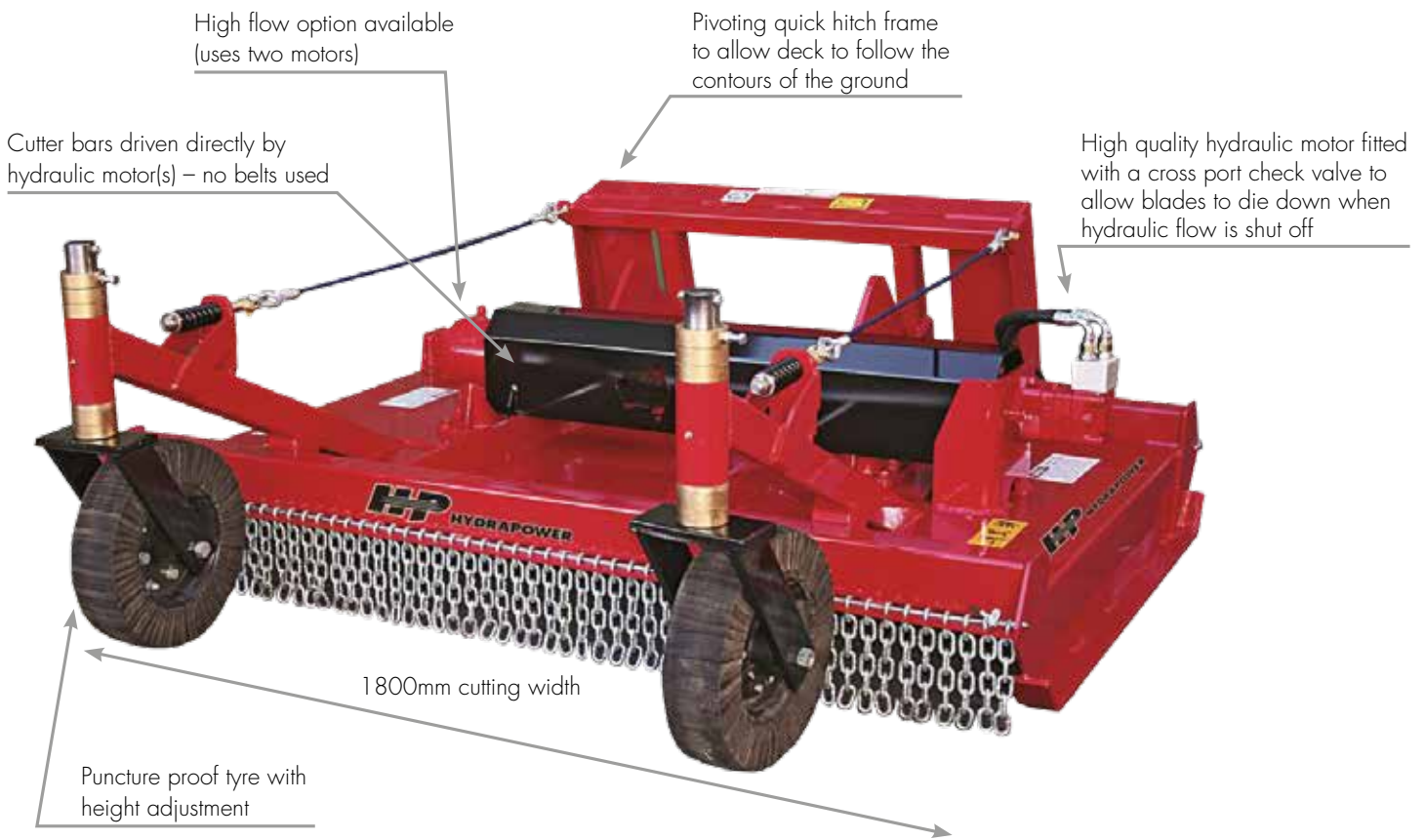


ONLY THE HT3 HAS 360 GRADE SPROCKETS

Debris Scraper



Double Head Slasher



Grader Attachment



Brush Rake

- Universal back plate
- No moving parts and long tynes, for reduced wear
- From 1600mm long



Tree Spade

- Closed back to allow material to be carried in bucket
- Spade with 43" (1090mm) width, 44" (1120mm) depth and 26" (660mm) height



Skeleton Bucket

- Tynes spaced to pick up only larger rocks and no dirt
- From 1600mm long





Backhoe

- Boom reach \pm 2m
- Dig depth \pm 2m



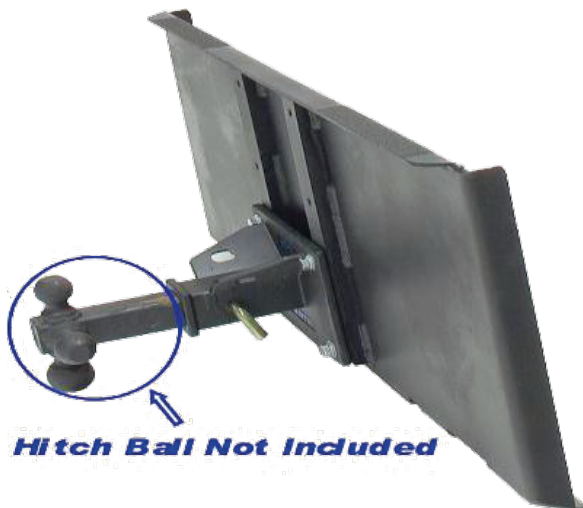
Hitch Plate

- Universal back plate
- Rated weight of implement to be attached: 3000lbs (1360Kg)
- Weight of plate: 128lbs (58Kg)



Hedge Trimer for Excavator

- 5ft (1500mm) sickle
- Hydraulic flow requirements: 10-20gpm (38-76 lpm)
- Weight of unit: 125lbs (57Kg)



Tow Bar Hitch

- Universal back plate



3 Point Powered Adaptor

- Can be fitted with 80, 125, 160 or 200cc motor

High Impact Post Driver

- Gas charged
- Optional tilt tach available
- Width 45" (1140mm), height 65" (1350mm)
- Driving force 55lbs (250Kg) direct impact
- Driver head 8" (200mm)
- Weight 1230lbs (558Kg)



Forksweep

Suit fork lift host machine (optional gutter brush)

- 1250mm wide
- 660mm diameter brush
- Optional side broom(s) / gutter brushes

WE CARRY A WIDE RANGE OF SPARE PARTS FOR OUR ATTACHMENTS, INCLUDING....

BROOMS

BRUSH SEGMENTS & SPACERS

BROOM SHAFTS

CUTTING EDGES

HYDRAULIC MOTORS

DRIVE COUPLINGS

BEARINGS

STEEL WHEEL ASSEMBLIES (WHERE APPROPRIATE TO MODEL)

PROFILERS

HYDRAULIC MOTORS

FILTER ELEMENTS

PICKS

PICK HOLDERS

STEEL WHEEL ASSEMBLIES

TRENCHER / SCRAPERS

SPROCKETS AND SPROCKET ASSEMBLIES

BEARINGS

BUFFER SPRINGS

CHAINS

TEETH

JOINER LINKS

SLASHERS

HYDRAULIC MOTORS

GEARBOXES

STUMP JUMP CUTTER BARS

BLADES

JOCKEY WHEELS

AND MANY MORE.....



GRADE
CONTROL

02 43851041

gradecontrol.com.au

QLD

5 Terrence Rd
Brendale QLD 4500

NSW

3/ 4 Bonmace Close
Berkeley Vale NSW 2261